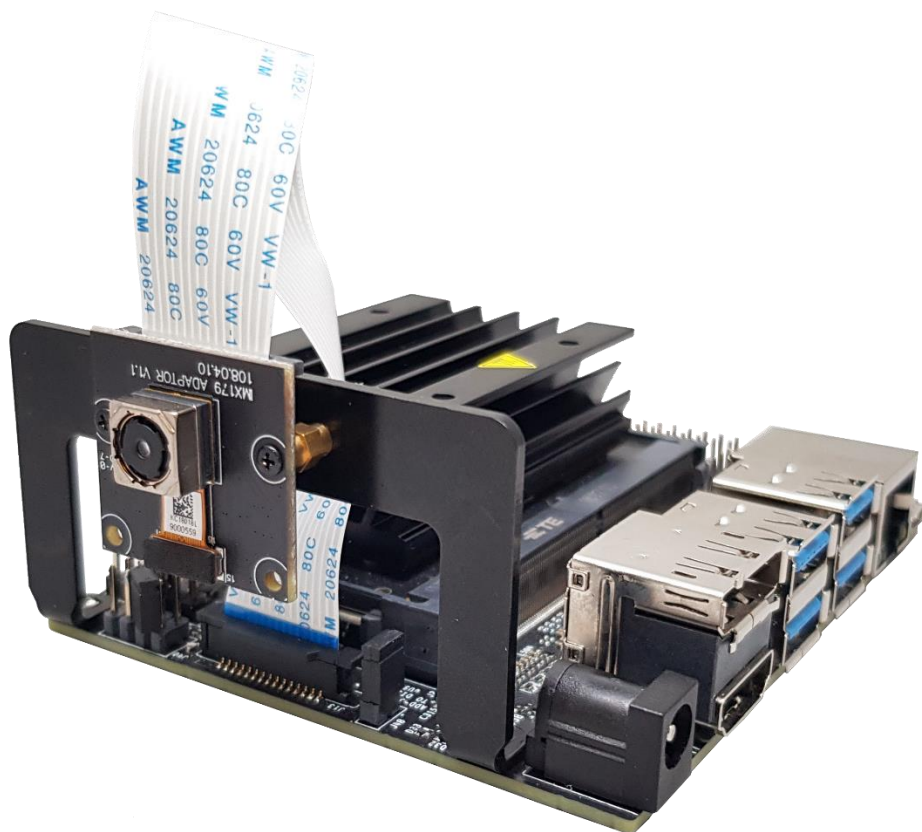


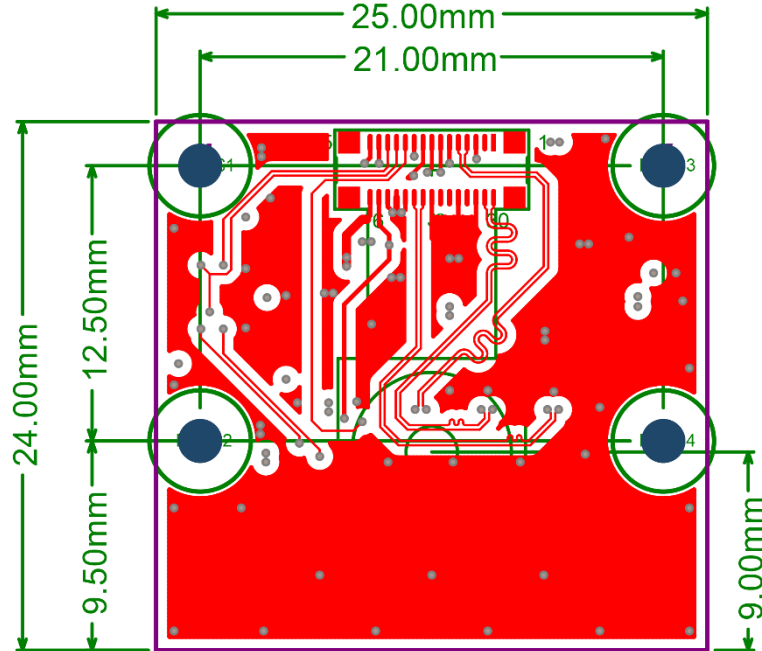
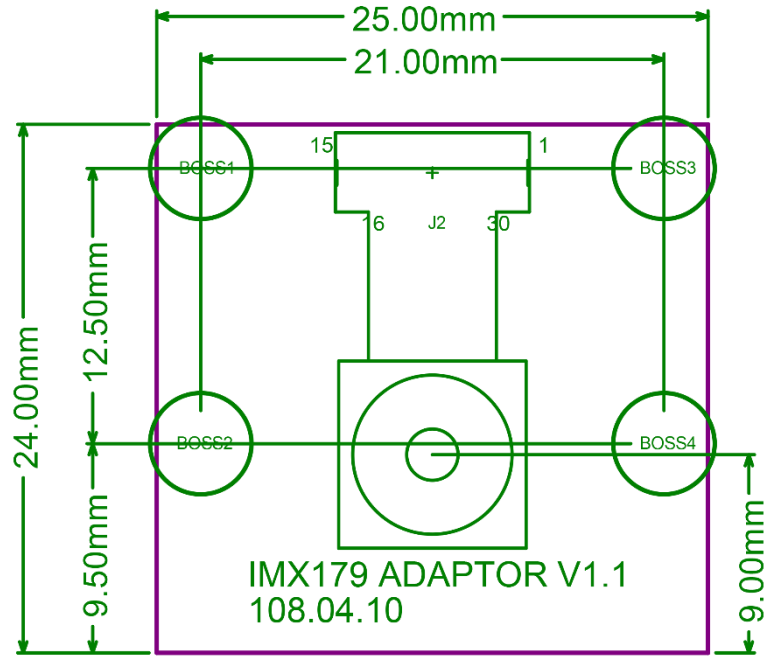
IMX179(8M) CCM Camera Module (for NVIDIA Jetson Nano) Datasheet



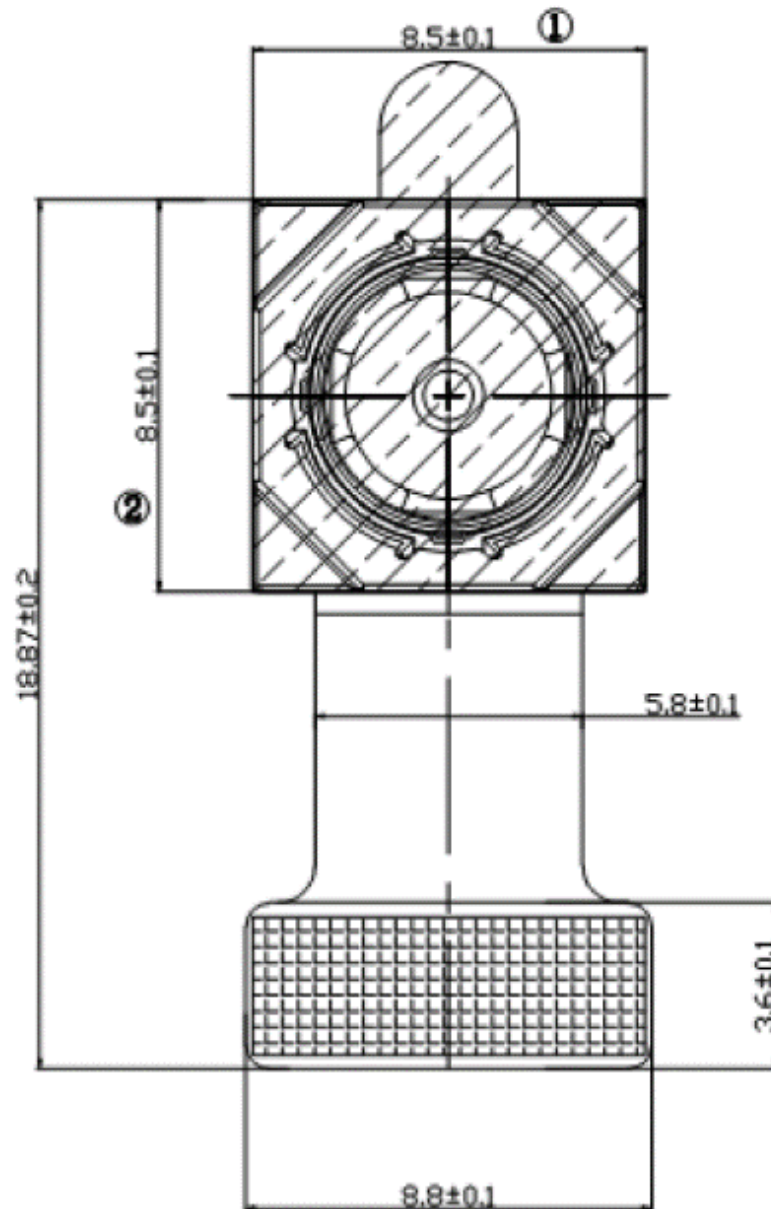
Module outline



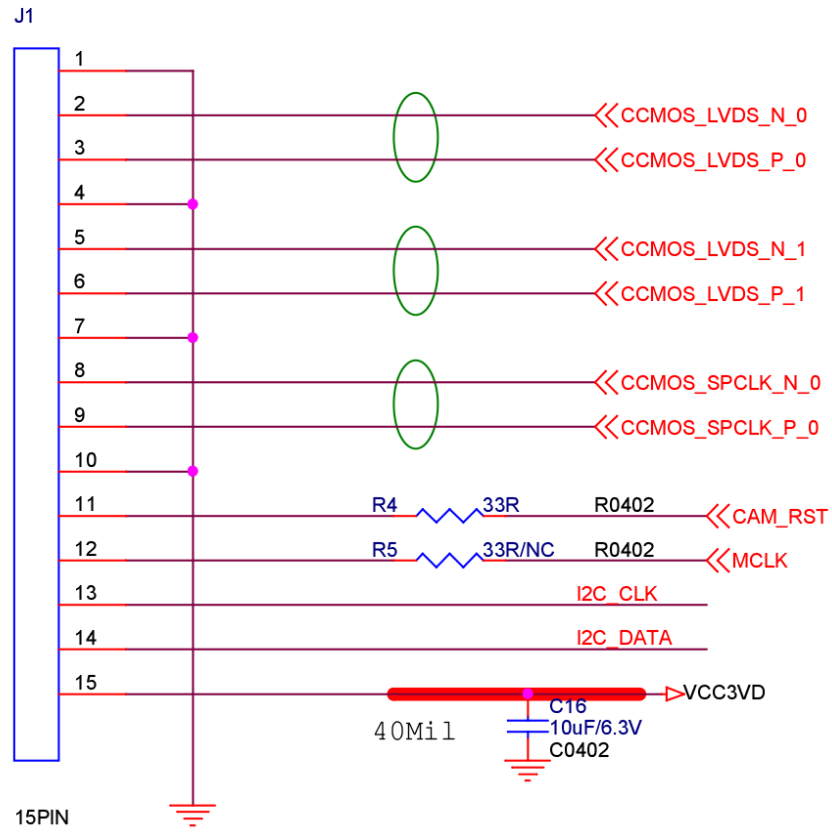
Dimension



CCM Dimension



Pin defines



Specification

Sensor	
Sensor	SONY CMOS IMX179
Output format	RGB Bayer pattern
Sensor Size	1/3.2"
Unit cell size	1.4 μm (H) x 1.4 μm (W)
Module dimension	Sensor board 24mm x 25mm
Module weight	4.5g
Effective Pixel	3280 x 2464
Frame rate	3280x2464x15fps/1920x1080x30fps
Chipset/Platform	Jetson Nano
Sensor op temperature	-10°C ~ 60 °C
Sensor Interface	MIPI
Control Interface	I2C
CCM Specification	
FOV	72.9°
F-number	2.2
Construction	5P+IR
EFL	3.85mm
TV Distortion	<1.5%
Depth of view	Focus @0.1m from 0.096m(Near) to 0.104m(Far)
	Focus @2m from 1.08m(Near) to 13.6m(Far)
	Focus @3m from 1.32m(Near) to Infinite(Far)